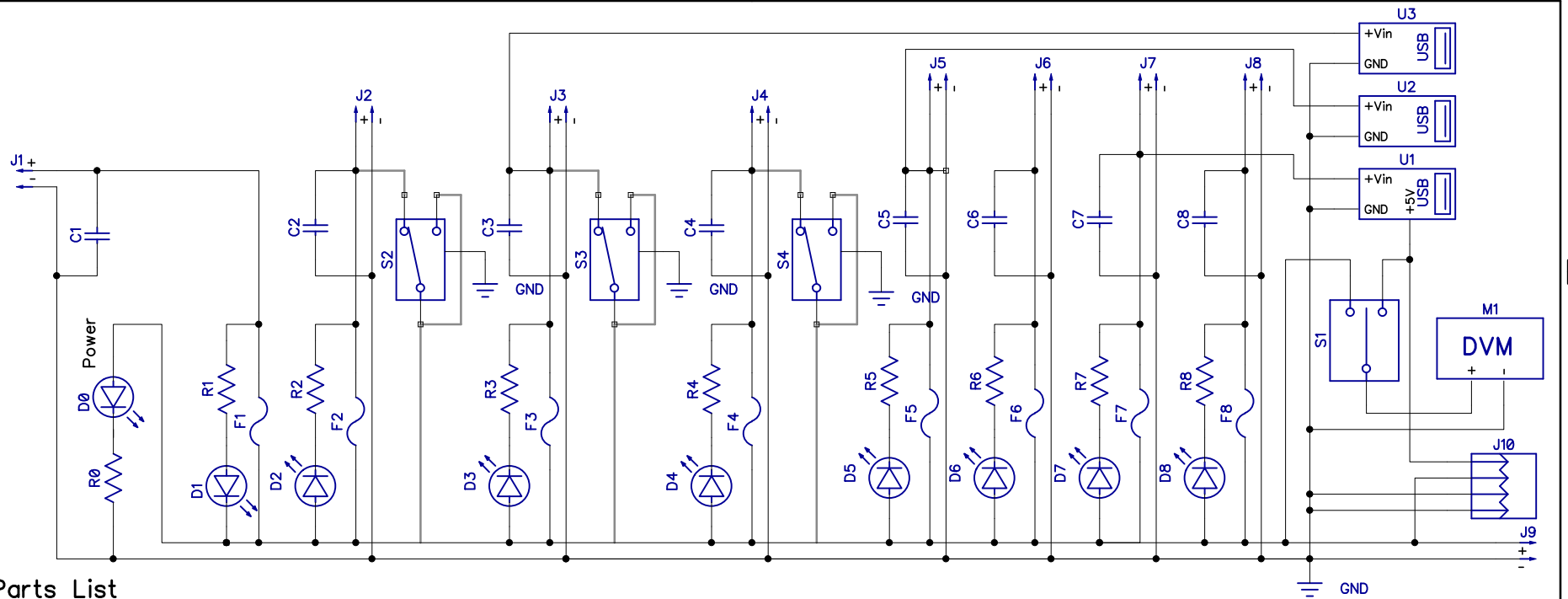


B



B

Parts List

C1, C2, C3, C4, C5, C6, C7, C8	0.1uF
D0	Green
D1, D2, D3, D4, D5, D6, D7, D8	Red
F1, F2, F3, F4, F5, F6, F7, F8	
J1	PowerPole
J2, J3, J4, J5, J6, J7, J8, J9	PowerPole
J10	Header, optional
M1	DVM
R0	56k or 62k
R1, R2, R3, R4, R5, R6, R7, R8	10k
S1	Vout/5V
S2, S3, S4	Switch, optional
U1	5VDC USB
U2, U3	Power Module, optional

A

Holes aligned for mounting Raspberry Pi board on back in 2 orientations 5.02a - revised for smaller DVM	DC Power Distribution Center V5.02a		
	D1 was reversed - now corrected 10 Optional 2.5A USB Charger Modules Optional Digital Voltmeter Module Switched Meter - Vin/+5V		
USB U4-10 not shown	SIZE	17 Mar 2018	DWG NO 1005
	A	04 Jun 2019	
		08 Jan 2020	REV A
SCALE N/A	John Boal K9JEB	PowerPolePCBv502a.dch	

A

2

1

2

1