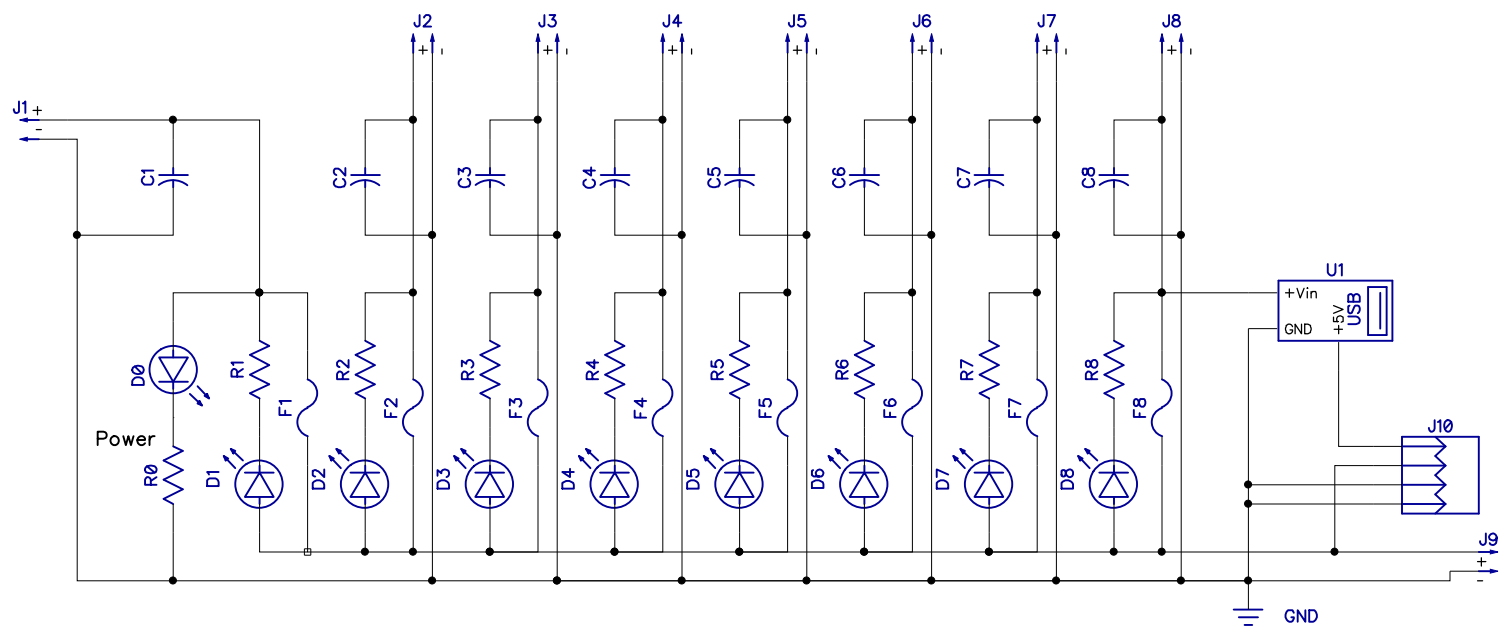


B

B



A

A

				DC Power Distribution Center			
				Power Pole DC Distribution Board Optional 2.5A USB Charger			
SIZE A		17 Feb 2016		DWG NO 1003		REV A	
PowerPolePCBv3.dch				SCALE N/A		John Boal K9JEB	
				Power Pole PCB V3			

2

1

2

1