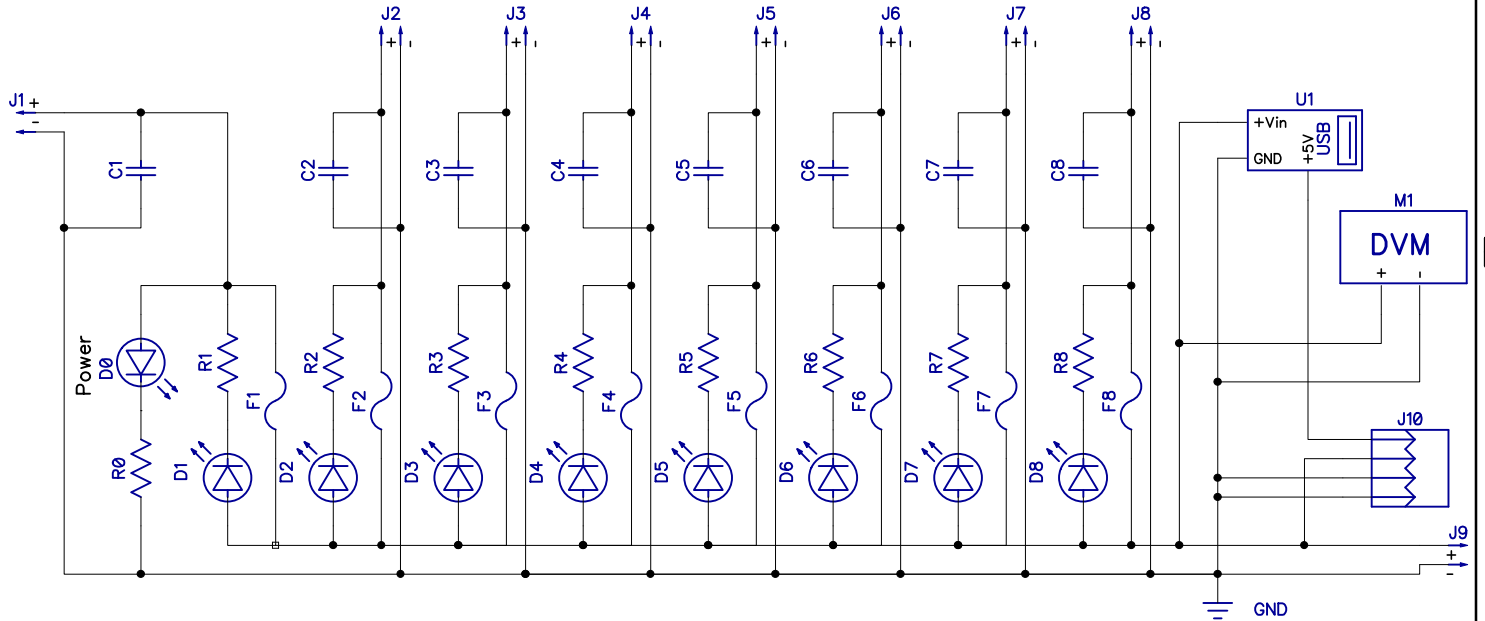


2

1

Parts List

C1, C2, C3, C4, C5, C6, C7, C8	Cap-NPO	0.1uF
D0	LED	Green
D1, D2, D3, D4, D5, D6, D7, D8	LED	Red
F1	Fuse Holder - 2pcs	25A
F2	Fuse Holder - 2pcs	15A
F3, F4	Fuse Holder - 2pcs	10A
F5, F6	Fuse Holder - 2pcs	5A
F7, F8	Fuse Holder - 2pcs	2A
J1	Power Pole Connector	Main
J2	Power Pole Connector	2
J3	Power Pole Connector	3
J4	Power Pole Connector	4
J5	Power Pole Connector	5
J6	Power Pole Connector	6
J7	Power Pole Connector	7
J8	Power Pole Connector	8
J9	Power Pole Connector	Out
J10	Header Pins	Vout
M1	DVM	
R0	RES1/4W	56k
R1, R2, R3, R4, R5, R6, R7, R8	RES1/4W	10k
U1	5VDC USB Module	



B

B

A

A

DC Power Distribution Center

Power Pole DC Distribution Board
 Optional 2.5A USB Charger Module
 Optional Digital Voltmeter Module

SIZE
A

18 Apr 2016

DWG NO 1003

REV
C

PowerPolePCBv3.dch

SCALE N/A

John Boal K9JEB

Power Pole PCB V3

2

1